

Masport®

DOMESTIC ROTARY MOWERS

SERIES 950i/4

Part Numbers	982893	950/4	XTS 60
	982894	950i/4	Intek Edge 60

From Serial Number 1066733

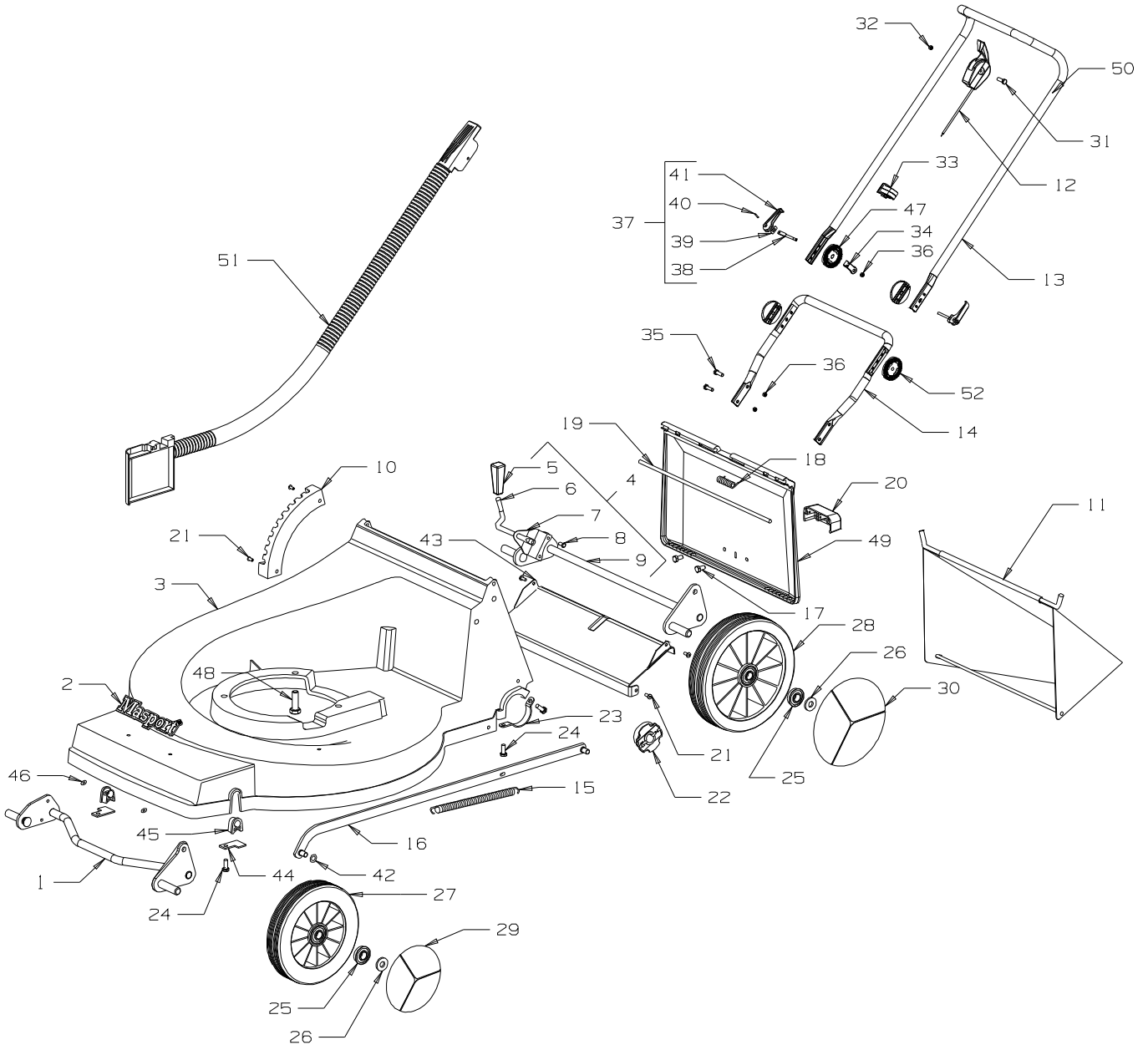




950/4
Powered By: Briggs & Stratton Quantum XTS 60
950i/4
Powered By: Briggs & Stratton Intek Edge 60

Masport®

SERIES
950i/4





950/4
 Powered By: Briggs & Stratton Quantum XTS 60
 950i/4
 Powered By: Briggs & Stratton Intek Edge 60

Masport®

SERIES
950i/4

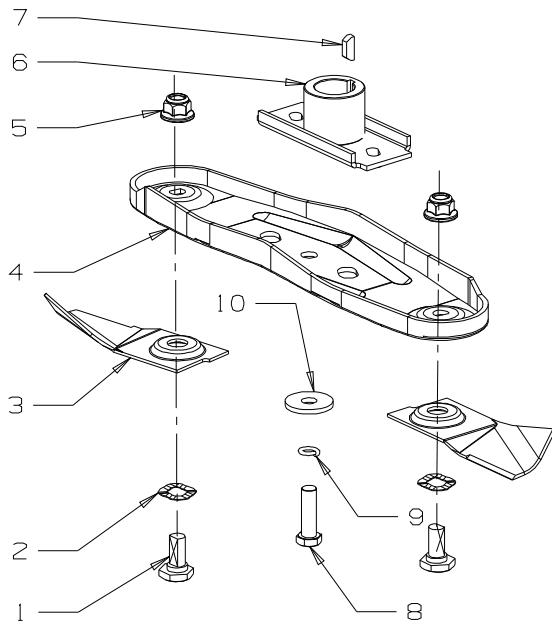
Item No	Part No	Description	Qty	Item No	Part No	Description	Qty
1	980019	Axle Assy-Front	1	33	581651	Guide-Rope, Alloy (Comfort Start)	2
2	581240	Nameplate	1	34	581512	Retainer-Control Cable, Handle	1
3	981686	Housing - Silver	1	35	501597	Screw, Set M8 x 20	4
4	980024	Axle Assy, Rear Complete	2	36	501793	Nut, Nyloc M8	4
5	580056	•Grip-7.9 Dia	1	37	980456	Cam Lock Assy	2
6	980733	•Rod-Height Selector	1	38	580690	•Stud-Handle Lock	2
7	580649	•Spring-Leaf	1	39	016777	•Washer-Slipper	2
8	503373	•Rivet, 3/16" x 27/64"	3	40	503369	•Pin, Tension 3/16 x 7/8"	2
9	980020	•Axle-Rear	1	41	580313	•Lever-Handle Locking	2
10	580025	Quadrant-Height Selector	1	42	501365	Clip-Starlock, 5/16"	2
11	981103	Chute Assy-Grass (Optional)	1	43	980365	Stiffener-Rear Brace	1
12	581340	Control-Throttle, -Ve N/Ch	1	44	580564	Plate-Retainer, Axle	2
13	981663	Handle-Upper, Upturned (Adjustable, Comfort Start)	1	45	580030	Bush-Pivot, Axle	2
14	981712	Handle-Lower, "U" (Adjustable)	1	46	503150	Clip-Starlock, 5 Dia	2
15	580621	Spring-Counter Balance	1	47	581660	Disc-Locking, Outer	2
16	981228	Rod Assy-Connecting	1	48	580453	Screw, S/T 3/ 8 x 1 1/8"	3
17	503650	Screw, M5 x 18	2	49	581517	Flap-Plastic - Black	1
18	580008	Spring-Flap	1	50	503460	Plug-Plastic, 6.3mm Dia	1
19	581734	Wire-6mm x 352mm, Flap Pivot	1	51	503698	Snorkel Kit (Engine)	1
20	580602	Handle-Flap	1	52	581659	- Intek Edge 60 Disc-Locking, Inner	2
21	503200	Rivet-Pop 4.8 Dia x 12.7 Rear Brace Stiffener (4), Height Quadrant (2)	6			NOT ILLUSTRATED	
22	580315	Bush-Reducing	4	006172		Washer, Spring 1/4" (Comfort Start)	1
23	980586	Retainer-Axle, Rear	2	006500		Nut, NF 1/4" (Comfort Start)	1
24	501599	Screw, S/T 1/4" x 5/8"	6	503482		Screw, NF 1/4" x 1 3/4" (Comfort Start)	1
25	551212	Bearing-Wheel	8	580778		Stop-Rope (Comfort Start)	1
26	503236	Clip-Starlock, 1/2"	4	503054		Tie-Nylon Cable	1
27	580790	Wheel Assy-175mm Mk 6	2	581346		Owners Manual	1
	551212	•Bearing-Wheel (2 per Wheel)		581670		Instructions - Supplement	1
28	580791	Wheel Assy-200mm Mk 6	2	503511		Nut, Nyloc M5 (Snorkel)	1
	551212	•Bearing-Wheel (2 per Wheel)		503700		Screw, Pan M5 x 35 (Snorkel)	1
29	580793	Hub Cap-150mm Dia - Black	2	582040		Decal-Housing	1
30	580794	Hub Cap-200mm Dia - Black	2	582037		Decal-Flap	1
31	503604	Screw, Pan M6 x 45	1				
32	501764	Nut, Nyloc M6	1				

Bold Text = Assemblies
Bulleted Text = Items included in Assemblies



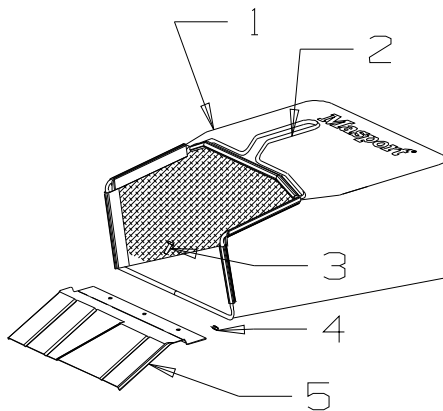
950/4
 Powered By: Briggs & Stratton Quantum XTS 60
 950i/4
 Powered By: Briggs & Stratton Intek Edge 60

505mm Quick Cut Blade Assembly



Item No	Part No	Description	Qty
	981364	Blade Assy - 505mm	1
1*	581707	• Bolt-Blade	2
2*	580693	• Washer, Wavy	2
3	980659	• Blade, Quick Cut - 505mm	2
4	980653	• Carrier-Blade	1
5*	503672	• Nut, Flange Nyloc M10	2
6	031640	Driver Assy-Blade - 25mm	1
7	503363	Key, Woodruff - 5/8" x 3/16 x 1/4"	1
8	581610	Screw, Set NF 3/8" x 1.25	1
9	500204	Washer, Spring 3/8"	1
10	503667	Washer, Flat 9.75 x 30 x 3	1
*	580133	Bolt Pack	1
	586129	Blade & Bolt Pack (Incl. item No's 1, 2, 3, 5)	1

Catcher Assembly Complete, Fabric-Part Number 981086 (usa 782432)



Item No	Part No	Description	Qty
1	580309	Bag Assy, Catcher	1
2	581027	Frame Assy, Catcher	1
3	502101	Screw, Pan M6 x 12	3
4	502098	Nut, M6	3
5	980319	Lip, Catcher	1

HEAD OFFICE - NEW ZEALAND

1 - 37 Mt Wellington Hwy
 Panmure, Auckland 6
 Phone: (64 9) 571 1200
 Fax: (64 9) 571 5864

HEAD OFFICE - AUSTRALIA

P.O. Box 533, Braeside
 Victoria 3195
 Phone: 1300 366 225
 Fax: 1800 035 594